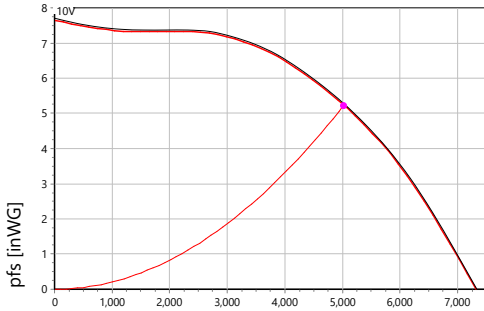




Plug Fan  
Type: **GKHM 450-CEB.140.6IF IE**  
Art.-No.: N88-45366



**Curve:**



qv [cfm]

Density: 1.2 kg/m³

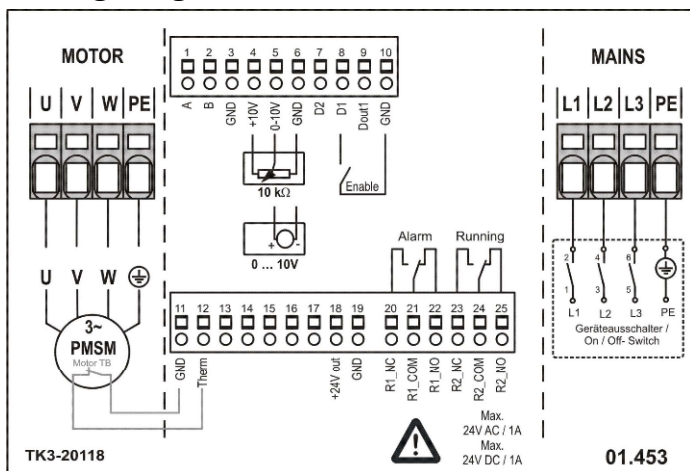
**Technical Data:**

U [V]	f [Hz]	P <sub>e</sub> [kW]	I <sub>N</sub> [A]	n <sub>N</sub> [1/min]	C [μF]	t <sub>R</sub> [°C]	k <sub>10</sub> [m²s/h]	I <sub>A</sub> / I <sub>N</sub>	IP	m [kg]
3~380-480	50/60	5.3	8.1	2430	-	40	155	-	IP 54	44

**Sound:**

		Σ	125Hz	250Hz	500Hz	1KHz	2KHz	4KHz	8KHz
LwA5 [dB(A)]	Inlet	89	64	81	82	84	82	79	72
LwA6 [dB(A)]	Outlet	93	69	85	87	88	86	81	73
LwA8 [dB(A)]	Outlet	96	72	88	90	91	89	84	76

**Wiring Diagram:**



**Drawing:**

